

SDI - DI - Dig DI
TWIN +



Connect 4 indoors units on the same system to satisfy the cooling and heating requirements of larger area.

Comfort

- Precise air flow control, accurately controls the distribution of the air regardless of the room size.

Adaptability

- Twin, triple or double twin configurations.
- Compatible with every type of LC indoor units: 4-way cassette, duct, high-wall ceiling and floor standing.

Control

- One user-friendly controller for all the indoor units to simplify the control.



SCOP MAX



5.05

CAPACITY



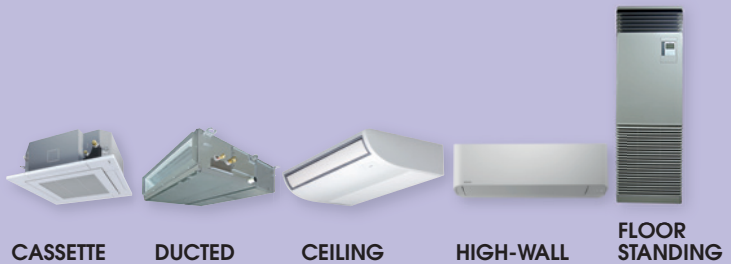
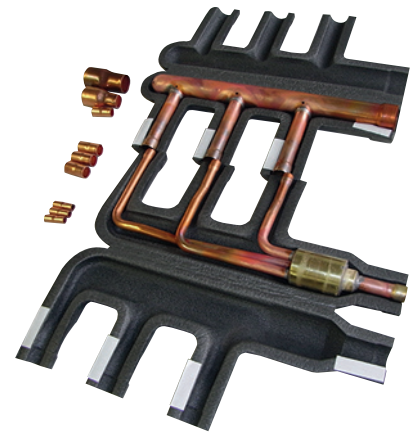
9.5kW > 27kW

OPERATION



-27°C > +52°C

Toshiba RAV simplistic piping design allows multiple indoor units to be connected via a simple branching methodology.



CASSETTE DUCTED CEILING HIGH-WALL FLOOR STANDING

RAV-HM_UTP-E/TR RAV-HM_BTP-E/TR RAV-HM_CTP-E/TR RAV-HM_KRTP-E/TR RAV-HM_FT-E/TR
RAV-HM_MUT-E/TR RAV-HM_SDTY-E/TR
RAV-HM_UT1P-E



OUTDOOR UNITS

RAV-GP1101AT(8)-E/TR RAV-GM1101AT(8)P-E/TR RAV-GM2241AT8-E1/TR1
RAV-GP1401AT(8)-E/TR RAV-GM1401AT(8)P-E/TR RAV-GM2801AT8-E1/TR1
RAV-GP1601AT8-E/TR RAV-GM1601AT(8)P-E/TR



REMOTE CONTROLS

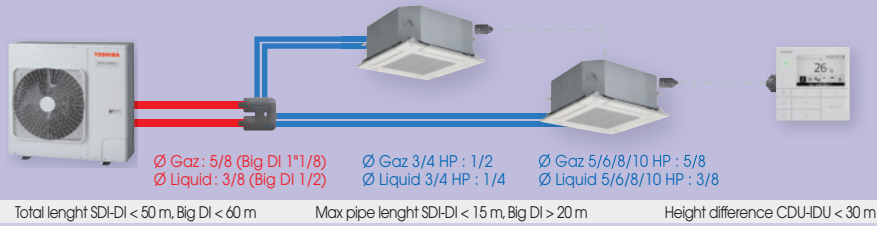
RBC-AWSU52-E
RBC-AMSU52-E
RBC-AMTU31-E
RBC-ASCU11-E

SYSTEM OVERVIEW

TWIN SYSTEM - 2 indoor units connected

Outdoor unit

Digital Inverter 4/5 HP
or
Super Digital Inverter 3/4/5/6 HP
or
Big Digital Inverter 8/10 HP



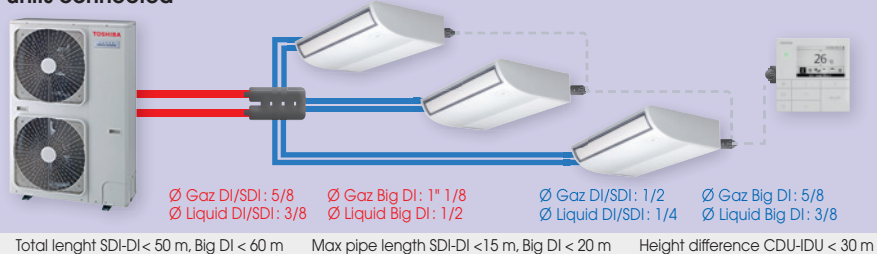
Remote

RBC-AMSU52-E

TRIPLE SYSTEM - 3 indoor units connected

Outdoor unit

Super Digital Inverter 6 HP
or
BIG Digital Inverter 8/10 HP



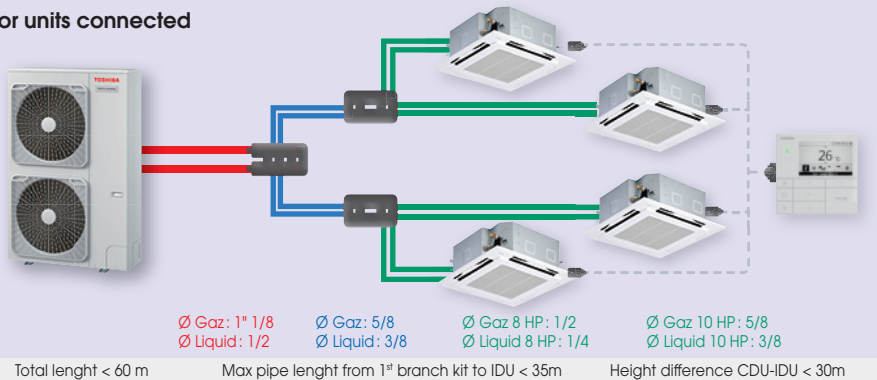
Remote

RBC-AMSU52-E

W-TWIN SYSTEM - 4 indoor units connected

Outdoor unit

Big Digital Inverter 8/10 HP



Remote

RBC-AMSU52-E

TWIN SDI

Cooling & heating

Indoor unit model	Outdoor unit RAV-	Indoor unit RAV-	HP	Cooling capacity nin. - nominal - max kW	Heating capacity nin. - nominal - max kW	EER	SEER	COP	SCOP	Energy class
Smart 4-way cassette	GP1101AT-E/TR	HM561UT-E/TR	4	3.1 - 10.0 - 12.0	2.6 - 11.2 - 13.0	5.26	9.15	5.14	5.03	A++/A++
	GP1401AT-E/TR	HM801UT-E/TR	5	3.1 - 12.5 - 14.0	2.6 - 14 - 16.5	4.30	8.79	4.61	5.00	-/-
4-way cassette	GP1101AT-E/TR	HM561UTP-E/TR	4	3.1 - 10.0 - 12.0	2.6 - 11.2 - 13.0	4.69	8.57	4.79	4.73	A++/A++
	GP1401AT-E/TR	HM801UTP-E/TR	5	3.1 - 12.5 - 14.0	2.6 - 14.0 - 16.5	3.96	8.14	4.36	4.72	-/-
	GP1101AT8-E/TR	HM561UTP-E/TR	4	2.6 - 10.0 - 12.0	2.4 - 11.2 - 15.6	4.31	7.06	4.65	4.36	A++/A+
	GP1401AT8-E/TR	HM801UTP-E/TR	5	2.6 - 12.5 - 14.0	2.4 - 14.0 - 18.0	3.65	7.06	4.11	4.36	-/-
	GP1601AT8-E/TR	HM801UTP-E/TR	6	2.6 - 14.0 - 16.0	2.4 - 16.0 - 19.0	3.23	6.76	3.74	4.36	-/-
Compact 4way cassette	GP801AT-E/TR	HM401MUT-E/TR	3	1.9 - 7.1 - 8.0	1.3 - 8.0 - 11.3	4.10	7.91	4.40	4.87	A++/A++
	GP1101AT-E/TR	HM561MUT-E/TR	4	3.1 - 10.0 - 12.0	2.6 - 11.2 - 13.0	4.18	7.93	4.19	4.42	A++/A+
	GP1101AT8-E/TR	HM561MUT-E/TR	4	2.6 - 10.0 - 12.0	2.4 - 11.2 - 14.0	3.85	6.32	3.74	3.94	A++/A
	GP1101AT-E/TR	HM561BTP-E/TR	4	3.1 - 10.0 - 12.0	2.6 - 11.2 - 13.0	4.17	6.74	4.10	4.26	A++/A+
Ducted	GP1401AT-E/TR	HM801BTP-E/TR	5	3.1 - 12.5 - 14.0	2.6 - 14.0 - 16.5	3.50	6.27	3.86	4.25	-/-
	GP1101AT8-E/TR	HM561BTP-E/TR	4	2.6 - 10.0 - 12.0	2.4 - 11.2 - 15.6	3.88	5.81	4.06	4.16	A+/A
	GP1401AT8-E/TR	HM801BTP-E/TR	5	2.6 - 12.5 - 14.0	2.4 - 14.0 - 18.0	3.28	5.64	3.83	3.96	-/-
	GP1601AT8-E/TR	HM801BTP-E/TR	6	2.6 - 14.0 - 16.0	2.4 - 16.0 - 19.0	3.12	5.50	3.50	3.94	-/-
Slim duct	GP801AT-E/TR	RM401SDT-E/TR	3	1.9 - 7.1 - 8.0	1.3 - 8.0 - 11.3	3.80	6.5	4.40	4.51	A++/A+
	GP1101AT-E/TR	RM561SDT-E/TR	4	3.1 - 10.0 - 12.0	2.6 - 11.2 - 13.0	3.91	6.65	4.19	4.00	A++/A+
	GP1101AT8-E/TR	RM561SDT-E/TR	4	2.6 - 10.0 - 12.0	2.4 - 11.2 - 14.0	3.60	5.60	4.21	3.84	A+/A
Ceiling	GP801AT-E/TR	HM401CTP-E/TR	3	1.9 - 7.1 - 8.0	1.3 - 8.0 - 11.3	4.44	7.82	4.44	5.05	A++/A++
	GP1101AT-E/TR	HM561CTP-E/TR	4	3.1 - 10.0 - 12.0	2.6 - 11.2 - 13.0	4.48	7.97	4.71	4.71	A++/A++
	GP1401AT-E/TR	HM801CTP-E/TR	5	3.1 - 12.5 - 14.0	2.6 - 14.0 - 16.5	3.49	7.34	3.90	4.7	-/-
	GP1101AT8-E/TR	HM561CTP-E/TR	4	2.6 - 10.0 - 12.0	2.4 - 11.2 - 14.0	3.91	6.54	4.46	4.21	A++/A+
	GP1401AT8-E/TR	HM801CTP-E/TR	5	2.6 - 12.5 - 14.0	2.4 - 14.0 - 18.0	3.40	6.17	4.02	4.19	-/-
	GP1601AT8-E/TR	HM801CTP-E/TR	6	2.6 - 14.0 - 16.0	2.4 - 16.0 - 19.0	3.04	5.89	3.72	4.19	-/-
	GP1101AT-E/TR	HM561FT-E/TR	4	3.1 - 10.0 - 12.0	2.6 - 11.2 - 13	4.18	6.84	4.06	4.40	A++/A+
Floor standing	GP1401AT-E/TR	HM801FT-E/TR	5	3.1 - 12.5 - 14	2.6 - 14 - 16.5	3.55	6.47	3.53	4.38	-/-
	GP1101AT8-E/TR	HM561FT-E/TR	4	2.6 - 10 - 12	2.4 - 11.2 - 14	4.07	6.02	4.04	4.02	A+/A+
	GP1401AT8-E/TR	HM801FT-E/TR	5	2.6 - 12.5 - 14	2.4 - 14 - 18	3.46	6.01	3.67	4.02	-/-
	GP1601AT8-E/TR	HM801FT-E/TR	6	2.6 - 14 - 16	2.4 - 16 - 19	3.19	5.81	3.31	3.98	-/-
High-wall	GP1101AT-E/TR	HM561KRTP-E/TR	4	3.1 - 10 - 12	2.6 - 11.2 - 13	4.1	8.15	4.1	4.05	A++/A+
	GP1401AT-E/TR	HM801KRTP-E/TR	5	3.1 - 12.5 - 14	2.6 - 14 - 16.5	3.45	6.69	3.66	4.37	-/-
	GP1101AT8-E/TR	HM561KRTP-E/TR	4	2.6 - 10.0 - 12.0	2.4 - 11.2 - 14.0	3.83	6.35	4.21	4.14	A++/A+
	GP1401AT8-E/TR	HM801KRTP-E/TR	5	2.6 - 12.3 - 13.5	2.4 - 14.0 - 18.0	3.30	6.10	3.70	4.11	-/-
	GP1601AT8-E/TR	HM801KRTP-E/TR	6	2.6 - 14.0 - 16.0	2.4 - 16.0 - 19.0	3.01	5.88	3.29	4.08	-/-

TRIPLE SDI



Cooling & heating

Indoor unit model	Outdoor unit RAV-	Indoor unit RAV-	HP	Cooling capacity nin. - nominal - max kW	Heating capacity nin. - nominal - max kW	EER	SEER	COP	SCOP	Energy class
4-way cassette	GP1601AT8-E/TR	HM561UTP-E/TR	6	2.6 - 14.0 - 16.0	2.4 - 16.0 - 19.0	3.23	6.71	3.74	4.36	-/-
Compact 4-way cassette	GP1601AT8-E/TR	HM561MUT-E/TR	6	2.6 - 14.0 - 16.0	2.4 - 16.0 - 19.0	3.30	6.32	3.51	4.15	-/-
Ducted	GP1601AT8-E/TR	HM561BTP-E/TR	6	2.6 - 14.0 - 16.0	2.4 - 16.0 - 19.0	3.12	5.43	3.5	3.94	-/-
Slim duct	GP1601AT8-E/TR	HM561SDT-E/TR	6	2.6 - 14.0 - 16.0	2.4 - 16.0 - 19.0	2.91	5.98	3.5	4.07	-/-
Ceiling	GP1601AT8-E/TR	HM561CTP-E/TR	6	2.6 - 14.0 - 16.0	2.4 - 16.0 - 19.0	3.04	5.95	3.72	4.19	-/-
High-wall	GP1601AT8-E/TR	HM561KRTP-E/TR	6	2.6 - 14.0 - 16.0	2.4 - 14.0 - 19.0	3.19	5.75	3.31	3.98	-/-
Floor standing	GP1601AT8-E/TR	HM561FT-E/TR	6	2.6 - 14.0 - 16.0	2.4 - 16.0 - 19.0	3.19	5.55	3.31	3.96	-/-

TWIN DI



Cooling & heating

Indoor unit model	Outdoor unit RAV-	Indoor unit RAV-	HP	Cooling capacity nin. - nominal - max kW	Heating capacity nin. - nominal - max kW	EER	SEER	COP	SCOP	Energy class
4-way cassette	GM1102ATW-E	HM561UTP-E	4	3 - 9.5 - 11.2	3 - 11.2 - 13	3.7	7.38	3.92	4.4	A++/A+
	GM1102AT8W-E	HM561UTP-E	4	3 - 9.5 - 11.2	3 - 11.2 - 13	3.76	7.03	3.97	4.29	-/A+
	GM1402ATW-E	HM801UTP-E	5	3 - 12.1 - 13.2	3 - 13 - 16	3.12	7.25	3.79	4.4	-/-
	GM1402AT8W-E	HM801UTP-E	5	3 - 12.1 - 13.2	3 - 13 - 16	3.17	6.86	3.83	4.3	-/-
	GM1602ATW-E	HM801UTP-E	6	3 - 14 - 15	3 - 16 - 17	2.77	6.56	3.39	4.4	-/-
	GM1602AT8W-E	HM801UTP-E	6	3 - 14 - 15	3 - 16 - 18	2.84	6.49	3.44	4.38	A++/-
Compact 4-way cassette	GM1102ATW-E	HM561MUT-E	4	3 - 9.5 - 11.2	3 - 11.2 - 13	3.52	6.7	3.55	4.1	A++/A+
	GM1102AT8W-E	HM561MUT-E	4	3 - 9.5 - 11.2	3 - 11.2 - 13	3.58	6.17	3.6	4.06	A++/A+
	GM1102ATW-E	HM561BTP-E	4	3 - 9.5 - 11.2	3 - 11.2 - 13	3.65	6.3	3.85	4	A+/A+
Ducted	GM1102AT8W-E	HM561BTP-E	4	3 - 9.5 - 11.2	3 - 11.2 - 13	3.71	5.91	3.9	3.92	-/A
	GM1402ATW-E	HM801BTP-E	5	3 - 12.1 - 13.2	3 - 13 - 16	3.02	6.1	3.66	3.92	-/-
	GM1402AT8W-E	HM801BTP-E	5	3 - 12.1 - 13.2	3 - 13 - 16	3.07	5.83	3.71	3.84	-/-
	GM1602ATW-E	HM801BTP-E	6	3 - 14 - 15	3 - 16 - 17	2.66	5.86	3.38	4.05	-/-
	GM1602AT8W-E	HM801BTP-E	6	3 - 14 - 15	3 - 16 - 18	2.72	5.76	3.43	3.96	A+/-
	GM1102ATW-E	HM561SDTY-E	4	3 - 9.5 - 11.2	3 - 11.2 - 13	3.50	6.04	3.61	3.91	A+/A
Slim duct	GM1102AT8W-E	HM561SDTY-E	4	3 - 9.5 - 11.2	3 - 11.2 - 13	3.50	5.63	3.61	3.90	-/A
	GM1602ATW-E	HM801SDTY-E	6	3 - 14 - 15	3 - 16 - 17	2.63	5.15	2.83	3.84	-/-
	GM1602AT8W-E	HM801SDTY-E	6	3 - 14 - 15	3 - 16 - 18	2.63	5.04	2.83	3.76	A++/-
	GM1102ATW-E	HM561CTP-E	4	3 - 9.5 - 11.2	3 - 11.2 - 13	3.67	6.89	3.91	4.3	A++/A+
	GM1102AT8W-E	HM561CTP-E	4	3 - 9.5 - 11.2	3 - 11.2 - 13	3.72	6.37	3.95	4.29	-/A+
	GM1402ATW-E	HM801CTP-E	5	3 - 12.1 - 13.2	3 - 13 - 16	3.02	6.11	3.74	4.28	-/-
Ceiling	GM1402AT8W-E	HM801CTP-E	5	3 - 12.1 - 13.2	3 - 13 - 16	3.07	5.83	3.79	4.2	-/-
	GM1602ATW-E	HM801CTP-E	6	3 - 14 - 15	3 - 16 - 17	2.78	6.21	3.77	4.3	-/-
	GM1602AT8W-E	HM801CTP-E	6	3 - 14 - 15	3 - 16 - 18	2.83	6.08	3.41	4.22	A++/-
	GM1102ATW-E	HM561KRTP-E	4	3 - 9.5 - 11.2	3 - 11.2 - 13	3.21	6.3	3.26	4.2	A+/A+
	GM1102AT8W-E	HM561KRTP-E	4	3 - 9.5 - 11.2	3 - 11.2 - 13	3.22	6.01	3.31	4.19	-/A+
	GM1402ATW-E	HM801KRTP-E	5	3 - 12.1 - 13.2	3 - 13 - 16	2.88	5.97	2.9	4.2	-/-
High-wall	GM1402AT8W-E	HM801KRTP-E	5	3 - 12.1 - 13.2	3 - 13 - 16	2.93	5.65	2.94	4.19	-/-
	GM1602ATW-E	HM801KRTP-E	6	3 - 14 - 15	3 - 16 - 17	2.57	5.66	2.58	4.2	-/-
	GM1602AT8W-E	HM801KRTP-E	6	3 - 14 - 15	3 - 16 - 18	2.62	5.56	2.63	4.16	A++/-
	GM1102ATW-E	HM561FT-E	4	3 - 9.5 - 11.2	3 - 11.2 - 13	3.5	6.1	3.61	3.92	A+/A
	GM1102AT8W-E	HM561FT-E	4	3 - 9.5 - 11.2	3 - 11.2 - 13	3.55	5.77	3.64	3.92	-/A
	GM1402ATW-E	HM801FT-E	5	3 - 12.1 - 13.2	3 - 13 - 16	2.8	5.46	3.29	3.9	-/-
Floor standing	GM1402AT8W-E	HM801FT-E	5	3 - 12.1 - 13.2	3 - 13 - 16	2.85	5.29	3.34	3.9	-/-
	GM1602ATW-E	HM801FT-E	6	3 - 14 - 15	3 - 16 - 17	2.63	5.15	2.83	3.9	-/-
	GM1602AT8W-E	HM801FT-E	6	3 - 14 - 15	3 - 16 - 18	2.68	5.09	2.83	3.82	-/-

TRIPLE DI



Cooling & heating

Indoor unit model	Outdoor unit RAV-	Indoor unit RAV-	HP	Cooling capacity nin. - nominal - max kW	Heating capacity nin. - nominal - max kW	EER	SEER	COP	SCOP	Energy class
4-way cassette	GM1602ATW-E	HM561UTP-E	6	3 - 14 - 15	3 - 16 - 17	2.77	6.51	3.39	4.4	-/-
Compact 4-way cassette	GM1602ATW-E	HM561MUT-E	6	3 - 14 - 15	3 - 16 - 17	2.55	5.46	2.63	4.09	-/-
Ducted	GM1602ATW-E	HM561BTP-E	6	3 - 14 - 15	3 - 16 - 17	2.66	5.83	3.38	4.05	-/-
Slim duct	GM1602ATW-E	HM561SDTY-E	6	3 - 14 - 15	3 - 16 - 17	2.63	5.1	2.83	3.84	-/-
Ceiling	GM1602ATW-E	HM561CTP-E	6	3 - 14 - 15	3 - 16 - 17	2.78	6.18	3.37	4.3	-/-
Floor standing	GM1602ATW-E	HM561FT-E	6	3 - 14 - 15	3 - 16 - 17	2.63	5.1	2.83	3.9	-/-
High-wall	GM1602ATW-E	HM561KRTP-E	6	3 - 14 - 15	3 - 16 - 17	2.57	5.63	2.58	4.19	-/-
4-way cassette	GM1602AT8W-E	HM561UTP-E	6	3 - 14 - 15	3 - 16 - 18	2.84	6.44	3.44	4.38	-/-
Compact 4-way cassette	GM1602AT8W-E	HM561MUT-E	6	3 - 14 - 15	3 - 16 - 18	2.6	5.37	2.68	4.06	-/-
Ducted	GM1602AT8W-E	HM561BTP-E	6	3 - 14 - 15	3 - 16 - 18	2.72	5.73	3.43	3.96	-/-
Slim duct	GM1602AT8W-E	HM561SDTY-E	6	3 - 14 - 15	3 - 16 - 18	2.63	4.99	2.83	3.75	-/-
Ceiling	GM1602AT8W-E	HM561CTP-E	6	3 - 14 - 15	3 - 16 - 18	2.83	6.05	3.41	4.22	-/-
Floor standing	GM1602AT8W-E	HM561FT-E	6	3 - 14 - 15	3 - 16 - 18	2.68	5.05	2.83	3.82	-/-
High-wall	GM1602AT8W-E	HM561KRTP-E	6	3 - 14 - 15	3 - 16 - 18	2.62	5.53	2.63	4.16	-/-

TWIN BIG DI



Cooling & heating

Indoor unit model	Outdoor unit	Indoor unit	HP	Cooling capacity			Heating capacity			EER	SEER	COP	SCOP	Energy class
				nin.	nominal	max	nin.	nominal	max					
	RAV-	RAV-		kW			kW							
4-way cassette	GM2241AT8-E1/TR1	HM1101UTP-E/TR	8	4.6	20.0	22.4	4.6	22.4	25.0	3.6	6.53	4.23	4.05	-/-
	GM2801AT8-E1/TR1	HM1401UTP-E/TR	10	4.6	23.5	27.0	4.6	27.0	31.5	3	6.21	3.8	3.9	-/-
Ducted	GM2241AT8-E1/TR1	HM1101BTP-E/TR	8	4.6	20.0	22.4	4.6	22.4	25.0	3.24	5.03	4.02	3.72	-/-
	GM2801AT8-E1/TR1	HM1401BTP-E/TR	10	4.6	23.5	27.0	4.6	27.0	31.5	2.65	5	3.62	3.64	-/-
Ceiling	GM2241AT8-E1/TR1	HM1101CTP-E/TR	8	4.6	20.0	25.0	4.6	22.4	25.0	3.24	5.67	3.92	3.79	-/-
	GM2801AT8-E1/TR1	HM1401CTP-E/TR	10	4.6	23.5	27.0	4.6	27.0	31.5	2.62	5.16	3.57	3.65	-/-
Floor standing	GM2241AT8-E1/TR1	HM1101FT-E/TR	8	4.6	20.0	25.0	4.6	22.4	25.0	3.24	5.42	3.28	3.62	-/-
	GM2801AT8-E1/TR1	HM1401FT-E/TR	10	4.6	23.5	27.0	4.6	27.0	31.5	2.65	5.20	3.83	3.59	-/-

TRIPLE BIG DI



Cooling & heating

Indoor unit model	Outdoor unit	Indoor unit	HP	Cooling capacity			Heating capacity			EER	SEER	COP	SCOP	Energy class
				nin.	nominal	max	nin.	nominal	max					
	RAV-	RAV-		kW			kW							
4-way cassette	GM2241AT8-E1/TR1	HM801UTP-E/TR	8	4.6	20.0	22.4	4.6	22.4	25.0	3.60	6.57	4.23	4.05	-/-
	GM2801AT8-E1/TR1	HM801UTP-E/TR	10	4.6	23.5	27.0	4.6	27.0	31.5	3.00	6.24	3.80	3.91	-/-
Ducted	GM2241AT8-E1/TR1	HM801BTP-E/TR	8	4.6	20.0	22.4	4.6	22.4	25.0	3.24	5.23	4.02	3.73	-/-
	GM2801AT8-E1/TR1	HM801BTP-E/TR	10	4.6	23.5	27.0	4.6	27.0	31.5	2.65	5.18	3.62	3.65	-/-
Ceiling	GM2241AT8-E1/TR1	HM801CTP-E/TR	8	4.6	20.0	25.0	4.6	22.4	25.0	3.24	5.59	3.92	3.79	-/-
	GM2801AT8-E1/TR1	HM801CTP-E/TR	10	4.6	23.5	27.0	4.6	27.0	31.5	2.62	5.16	3.57	3.65	-/-
High-wall	GM2241AT8-E1/TR1	HM-801KRTP-E/TR	8	4.6	20.0	22.4	4.6	22.4	25.0	3.00	5.58	3.66	3.76	-/-
	GM2801AT8-E1/TR1	HM-801KRTP-E/TR	10	4.6	23.5	27.0	4.6	27.0	31.5	2.55	5.30	3.53	3.63	-/-
Floor standing	GM2241AT8-E1/TR1	HM801FT-E/TR	8	4.6	20.0	22.4	4.6	22.4	25.0	3.24	5.36	3.98	3.62	-/-
	GM2801AT8-E1/TR1	HM801FT-E/TR	10	4.6	23.5	27.0	4.6	27.0	31.5	2.65	5.15	3.29	3.59	-/-

LIGHT COMMERCIAL

DOUBLE TWIN BIG DI



Cooling & heating

Indoor unit model	Outdoor unit	Indoor unit	HP	Cooling capacity			Heating capacity			EER	SEER	COP	SCOP	Energy class
				nin.	nominal	max	nin.	nominal	max					
	RAV-	RAV-		kW			kW							
4-way cassette	GM2241AT8-E1/TR1	HM561UTP-E/TR	8	9.8	20.0	22.4	9.8	22.4	25.0	3.60	6.57	4.23	4.05	-/-
	GM2801AT8-E1/TR1	HM801UTP-E/TR	10	9.8	23.0	27.0	9.8	27.0	31.5	3.00	6.16	3.80	3.90	-/-
Compact 4-way cassette	GM2241AT8-E1/TR1	HM561MUT-E/TR	8	4.6	20.0	22.4	4.6	22.4	25.0	3.15	6.24	3.66	4.24	-/-
Ducted	GM2241AT8-E1/TR1	HM561BTP-E/TR	8	4.6	20.0	25.0	4.6	22.4	25.0	3.24	5.18	4.02	3.73	-/-
	GM2801AT8-E1/TR1	HM801BTP-E/TR	10	4.6	23.5	27.0	4.6	27.0	31.5	2.65	5.12	3.62	3.65	-/-
Slim duct	GM2241AT8-E1/TR1	HM561SDT-E/TR	8	4.6	20.0	22.4	4.6	22.4	25.0	3.00	5.44	3.66	3.86	-/-
	GM2241AT8-E1/TR1	HM561CTP-E/TR	8	4.6	20.0	22.4	4.6	22.4	25.0	3.24	5.68	3.92	3.79	-/-
Ceiling	GM2801AT8-E1/TR1	HM801CTP-E/TR	10	4.6	23.5	27.0	4.6	27.0	31.5	2.62	5.06	3.57	3.65	-/-
	GM2241AT8-E1/TR1	HM561KRTP-E/TR	8	4.6	20.0	22.4	4.6	22.4	25.0	3.00	5.60	3.66	3.76	-/-
High-wall	GM2801AT8-E1/TR1	HM801KRTP-E/TR	10	4.6	23.5	27.0	4.6	27.0	31.5	2.55	5.22	3.53	3.62	-/-
	GM2241AT8-E1/TR1	HM561FT-E/TR	8	4.6	20.0	25.0	4.6	22.4	25.0	3.24	5.32	3.98	3.61	-/-
Floor standing	GM2801AT8-E1/TR1	HM801FT-E/TR	10	4.6	23.5	27.0	4.6	27.0	31.5	2.65	5.12	3.29	3.59	-/-